

SUB 2060 ESP: Technical masterpiece for demanding fans of music



The new subwoofer SUB 2060 ESP finished in a high gloss finish, at the same time offering outstanding natural bass. ELAC has now achieved two major goals: a full and accurate bass extension, that emanates from a compact, and stunningly designed cabinet. Due to ELAC's special LLD woofer technology, this loudspeaker features precise and distortion-free bass reproduction. When operating at high bass levels, a glass of champagne, placed onto the SUB 2060 will remain perfectly still.

Special feature: ESP® is a frequency and power dependent electronic stabilization programme for controlled bass performance. Similar to ESP for cars where improved stability is provided, ELACs subwoofer ESP® ensures controlled performance, even at maximum power. It also reduces background noises.



Operation / connections

- Connection of up to 3 loudspeaker inputs (e. g. left, right, centre) and LFE connection of the surround receiver at the same time.
- Continuously variable controls for gain and frequency.
- Phase converter to balance out phase differences between satellites and subwoofer.
- Energy saving auto-power circuit with 15 min. power off delay.
- Mains connector: IEC power inlet
- RCA connector, LFE input (mono)
- High-quality gold-plated binding posts for speaker cable inputs and satellite outputs L/R/C.
- Switch (mains voltage) for 115V or 230V.



ELAC

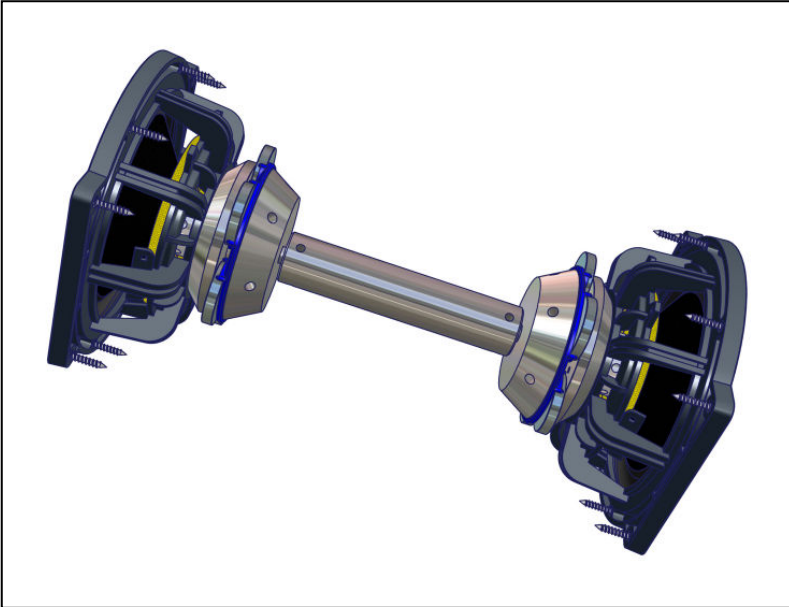
SUB 2060 ESP

Product Information

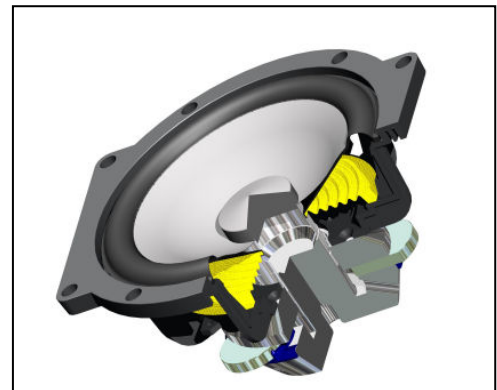


Drive Units

- 2 x 180 mm aluminium sandwich woofer in LLD woofer technology: the special ELAC drivers work in a common mode, similar to an opposed cylinder engine. Cabinet resonances that might influence the sound quality will be avoided due to the mechanical connection of both bass transducers.

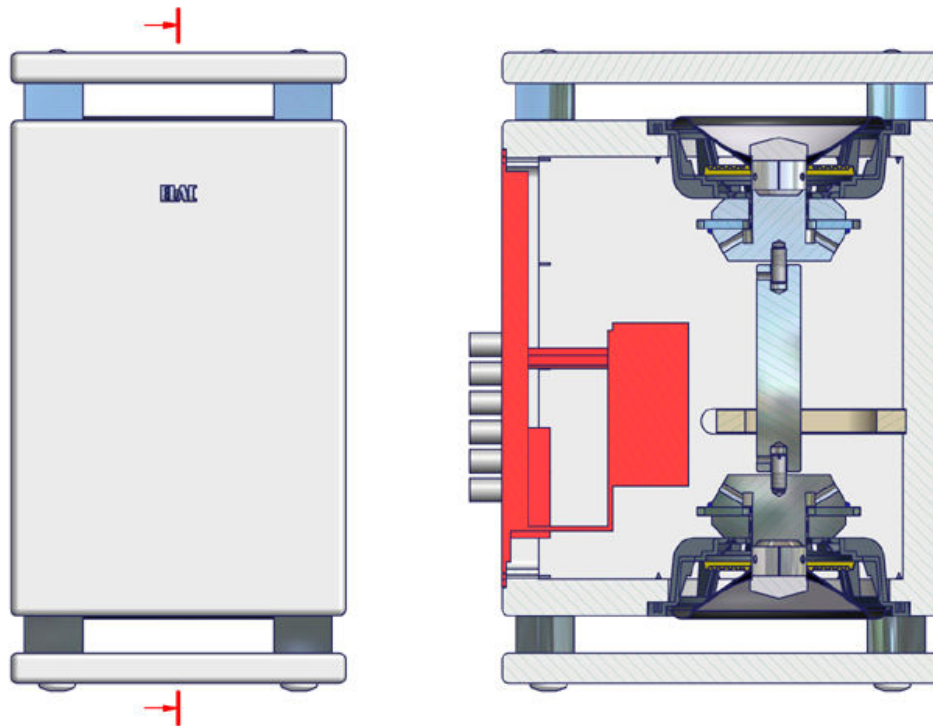


- The design of this subwoofer incorporates dual drive units, operating in tandem, which fire the sound on two planes. The mechanical connection of the two drive units (enabled by means of a rigid connection component) avoids unwanted cabinet resonances.



Electronic features

- Class D digital amplifier with 300W pulse power, driven by 4th order filters with ESP to enable perfect adaption to the drivers, amplifier and the cabinet.
- Standby mode (max. 1.8 Watt), indicated by red LED on the back panel



Finishes: titan shadow, black high gloss, white high gloss

Specifications	ELAC SUB 2060 ESP
Dimensions H x W x D	433 x 230 x 300 mm
Gross weight	30 l
Weight	17 kg
Type	1-way active, 2 woofers in a closed cabinet
Woofers	2 x 180 mm AS LLD woofer
Amplifier power	300 W (pulse) / 250 W (sine)
Input impedance	Line: 35 kOhm /LS: 220 Ohm, floating
Power consumption	max. 1.8 W standby, 380 W at full power
Mains connection	2.5 A T at 220...240V~ / 50...60Hz
Mains fuse	5.0 A T at 110...120V~ / 50...60Hz
Outputs	LS: LS filtered with 220 µF
Input sensitivity	Line: 1 x 200 mV (Cinch)/ Loudspeaker: 3 x 2.5 V
Upper cut-off frequency	40...180 Hz
Frequency range	29...240 Hz
S/N	> 100 dB (A), rel to full output